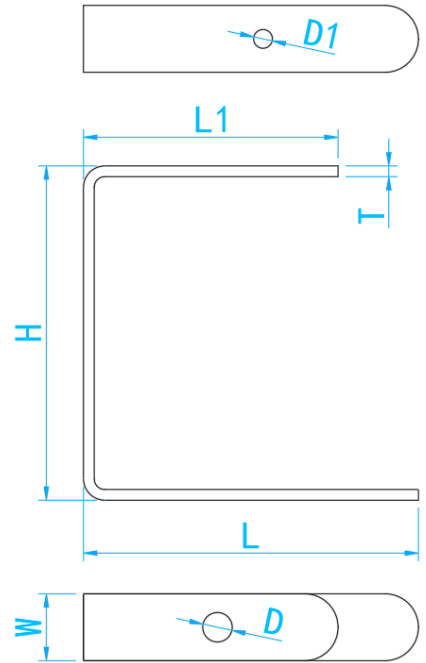
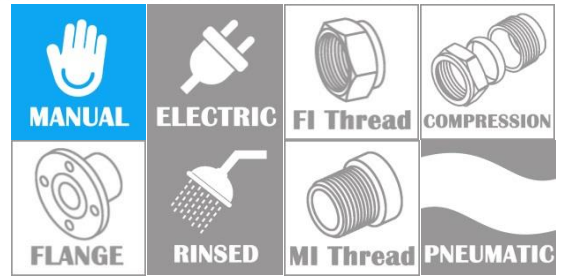
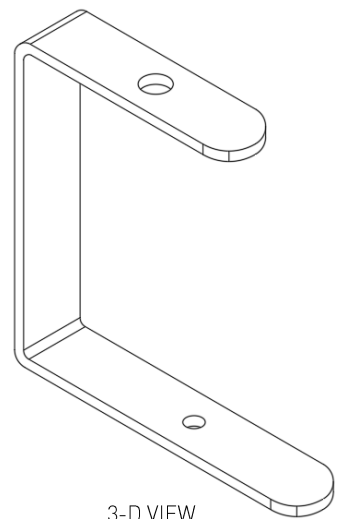


UNISTRUT C TYPE BRACKET (FOR CABLE TRAY)



SIDE VIEW



3-D VIEW

COMPONENT PARTS

MATERIAL	Mild Steel
COATING	Cold Galvanized

DIMENSIONS

SKU	Material	L (mm)	L1 (mm)	H (mm)	W (mm)	D (mm)	D1 (inch)	T (mm)	WEIGHT (kg)	PCS/CTN
OLCTB	Cold Galvanized	125	95	125	25	11	7	4	0.2463	60